

Feb. 6, 1993

mule deer with asymmetrical antlers with $1\frac{1}{2}$ " abnormal spike has shed the spike and is now antlerless.

The male mule deer



at feeder.

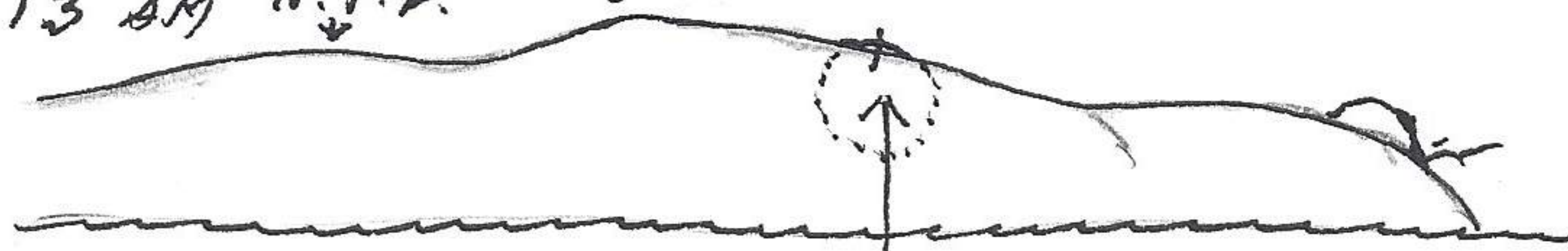
Feb. 7, 1993

Trip to Oreas. 210 crab traps in Blind Bay on Shaw Island.

On mt. Constitution, Lost Lake in ice and snow on top. Snow on upper slopes to mt. Constitution 20% of plowed snow on side of mt. Twin Lake in ice. mt. Lake 90% in ice. Cascade Lake 90% in ice.

Feb. 8, 1993

Sunrise 7:45:13 AM N.T.P. S.T.P.



$\frac{1}{2}$ way down slope from S Thatcher Peak

This A.M. approx. 250 mew gulls hunted marine corridor from Leo Reef N for $\frac{1}{2}$ mi. They have been observed in area for last 2 weeks.

To Fri Harbor and return with Mary & Don via ferry. Left 10:00 A.M.: 1 pigeon guillemot, 16 glaucous-winged gulls, 1 common murre, 4 pelagic cormorant, 2 double-crested cormorant. Return no censuses. At Bee House were the following ^{mule} deer:

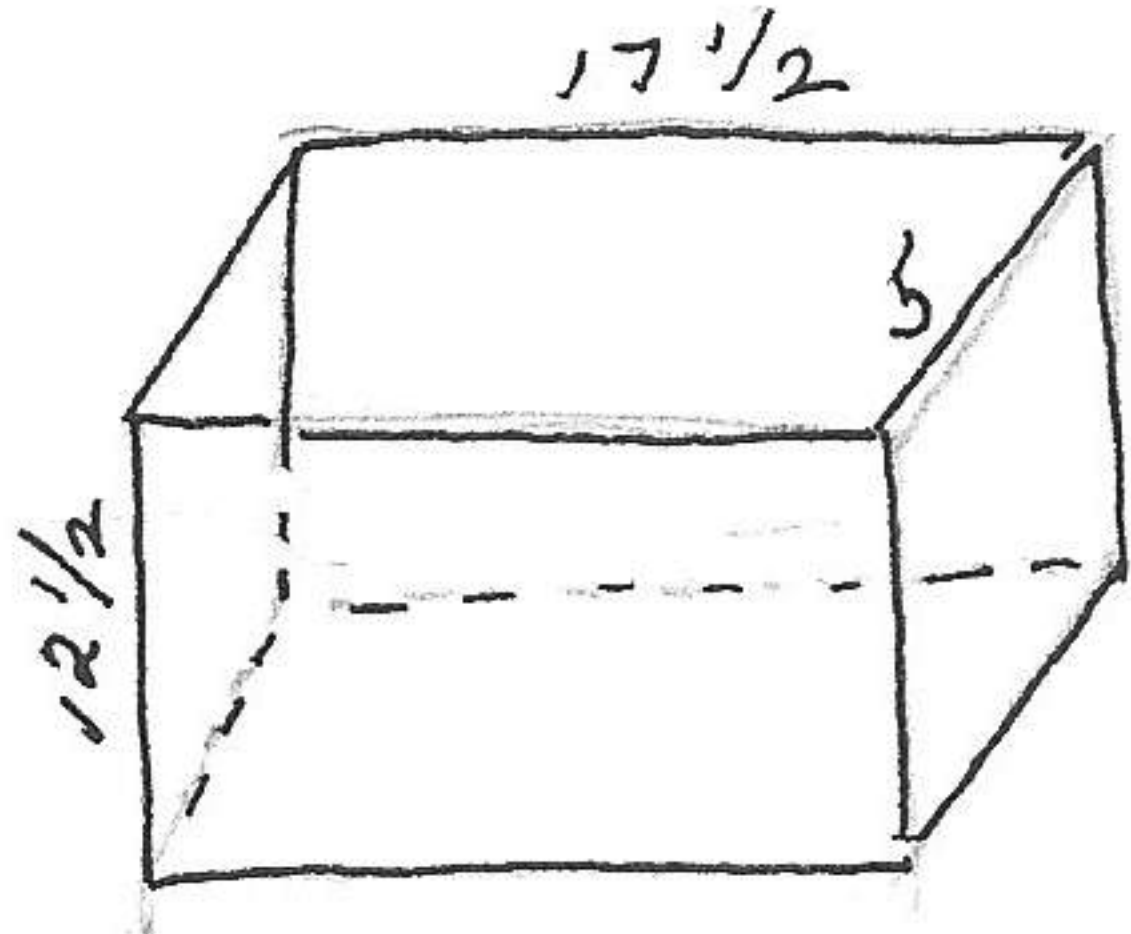


R. L.



R. L.

also 6 adult females, the Orphan, the Runt,



measurements for map box for the boat.