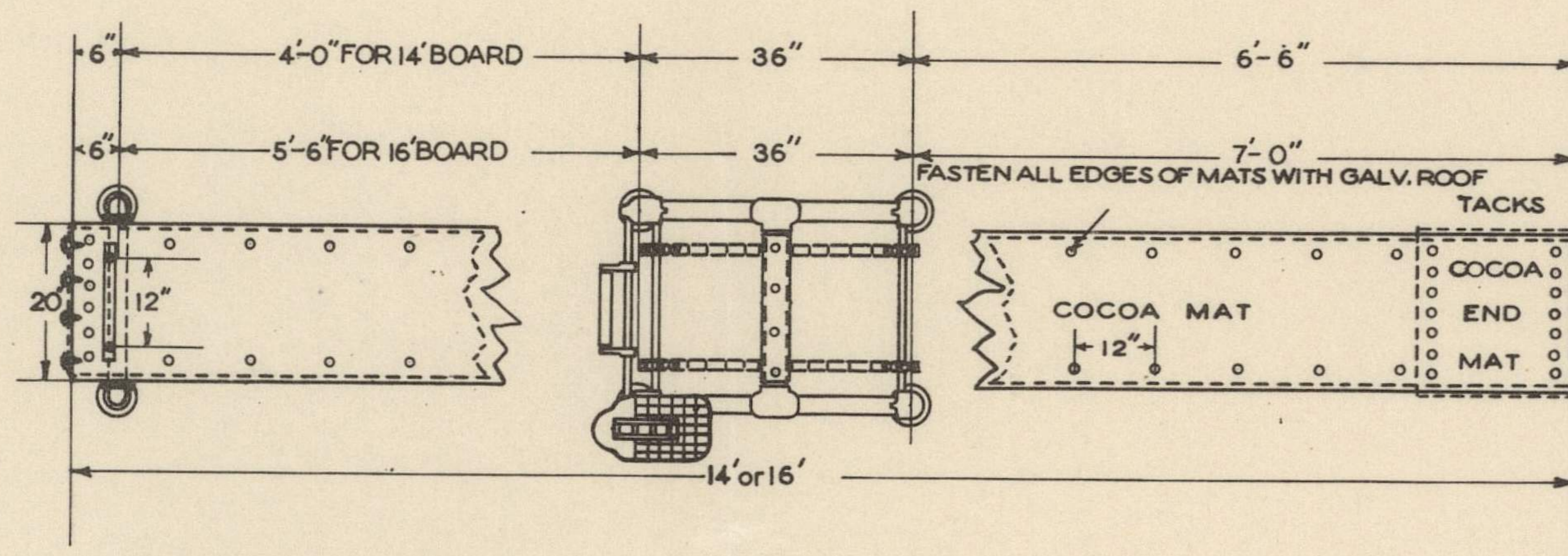
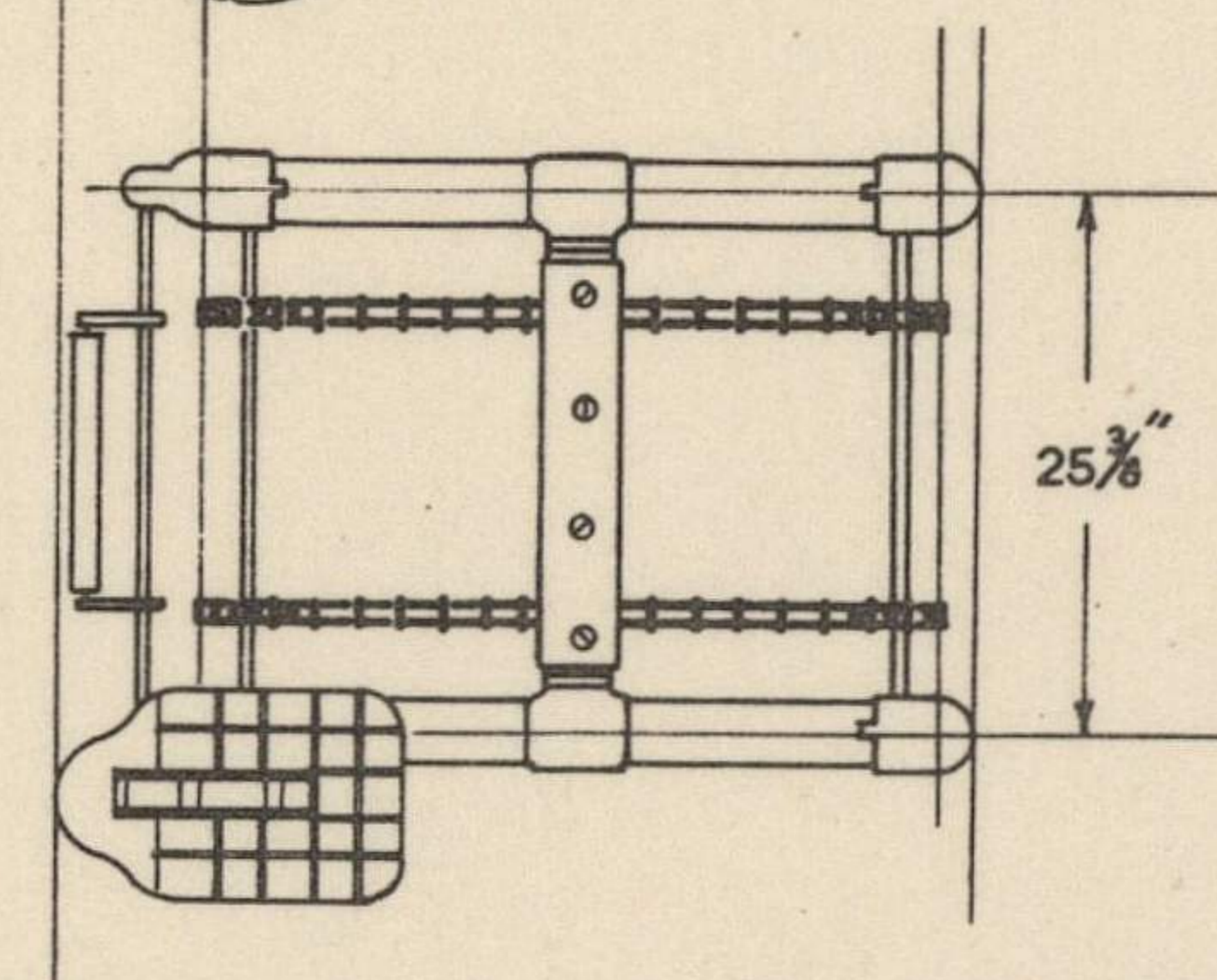
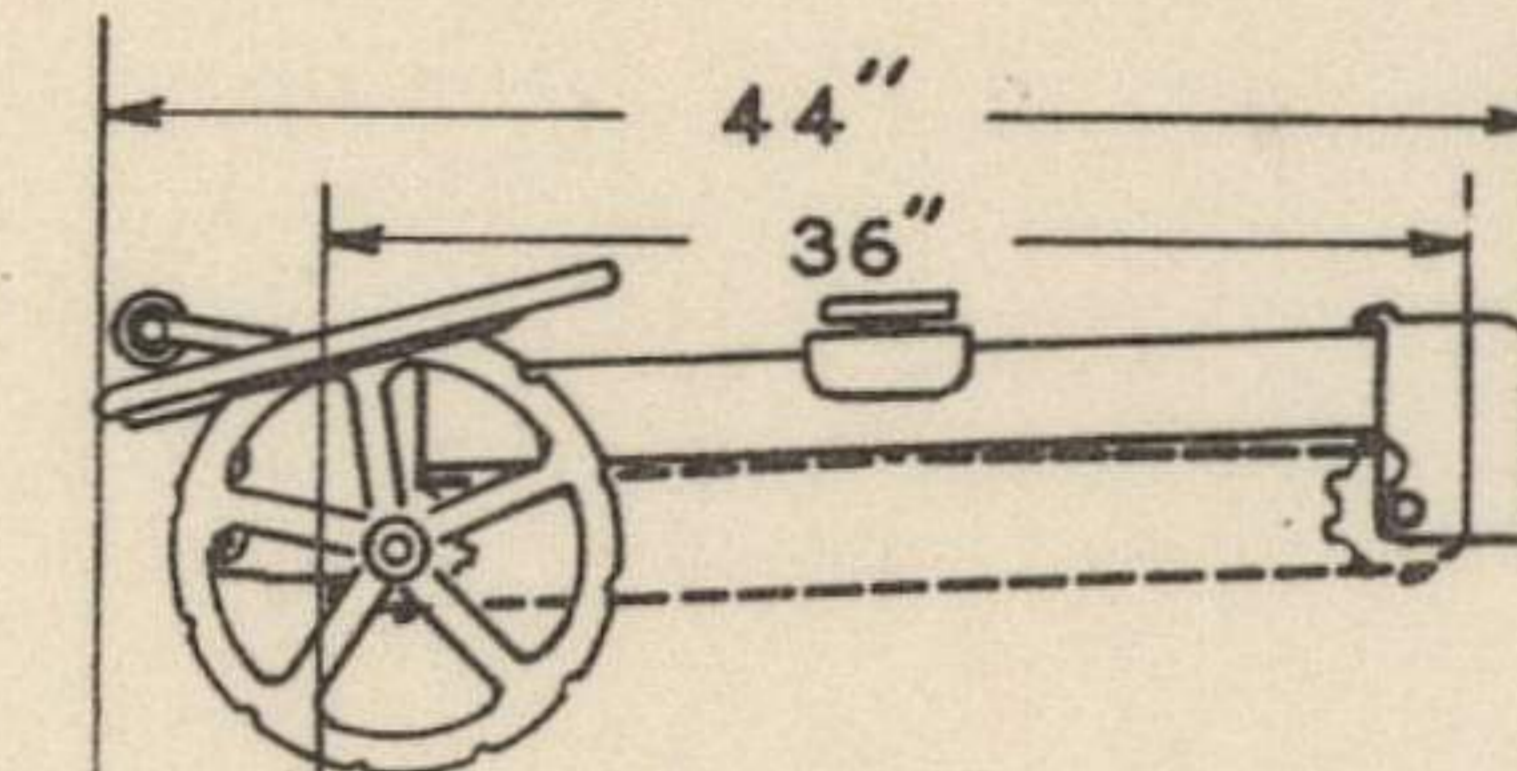
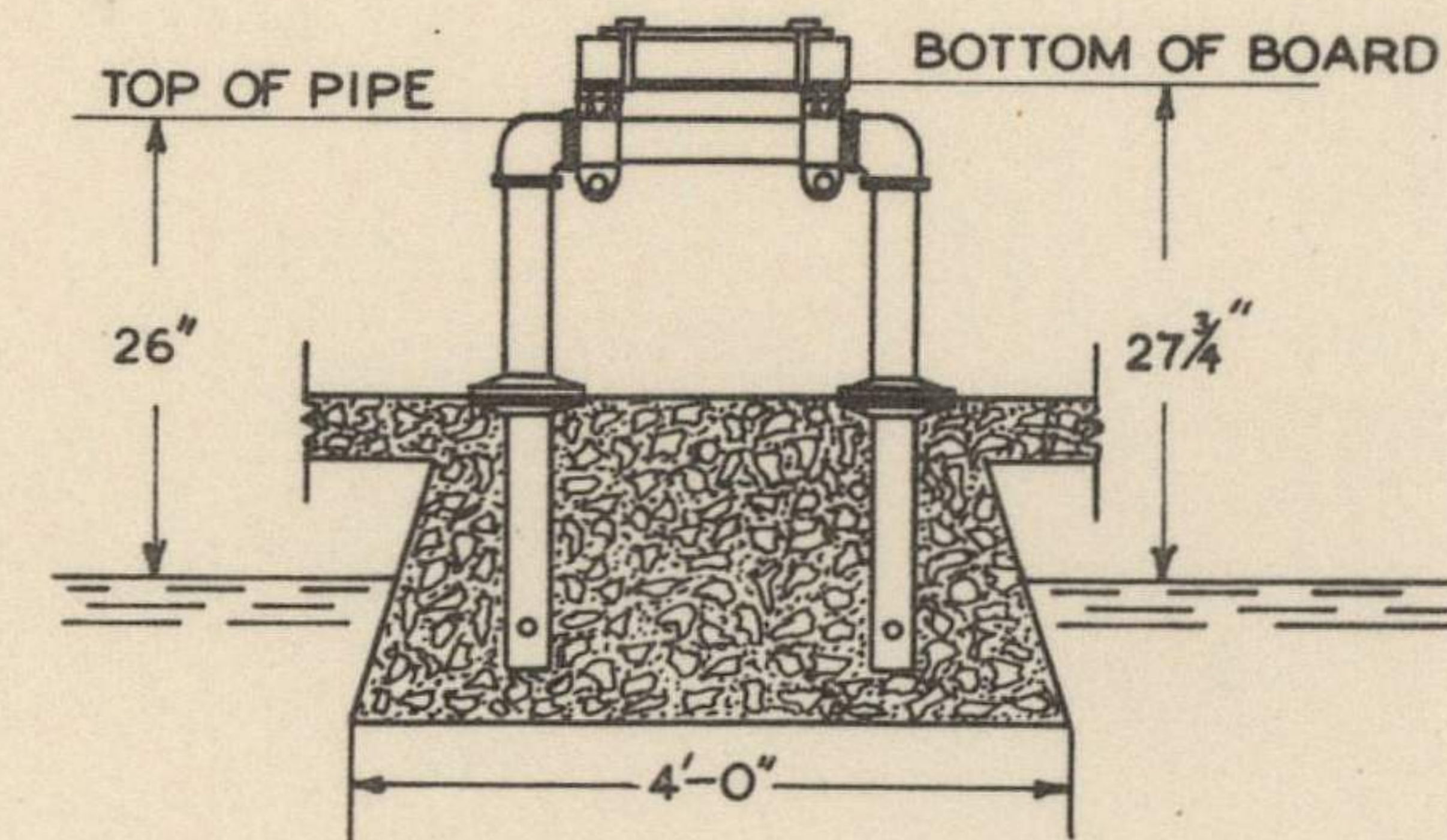
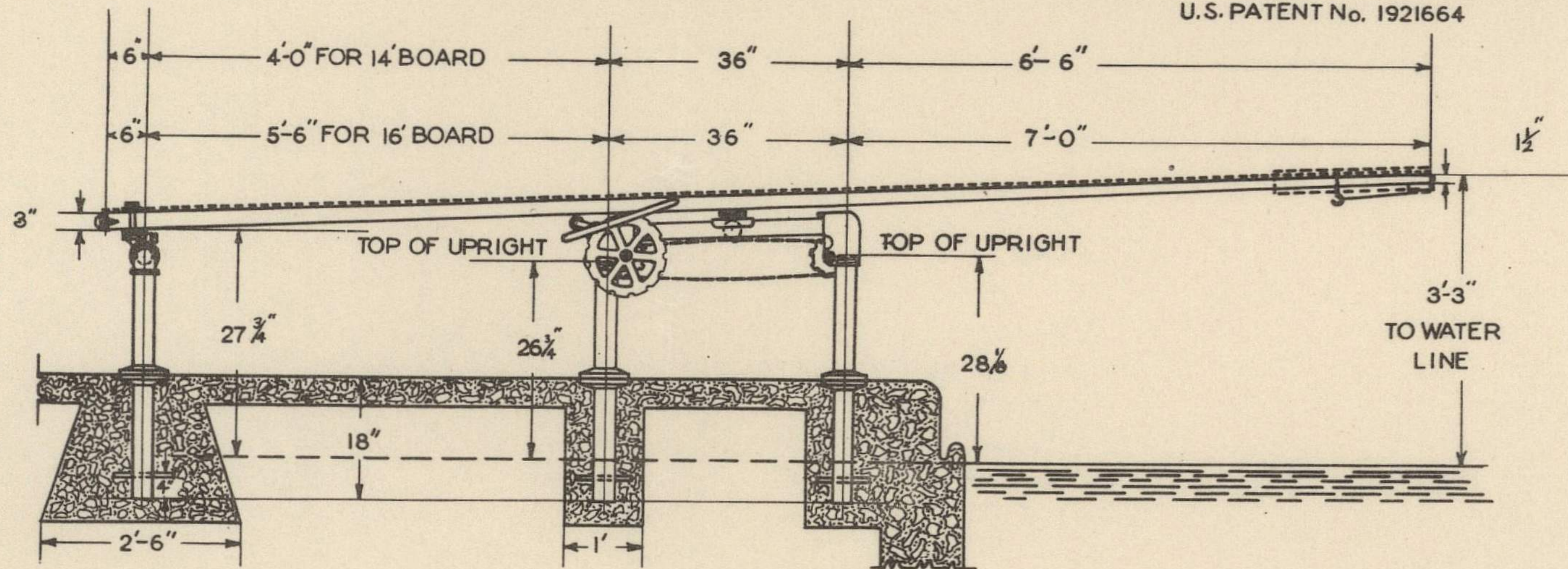


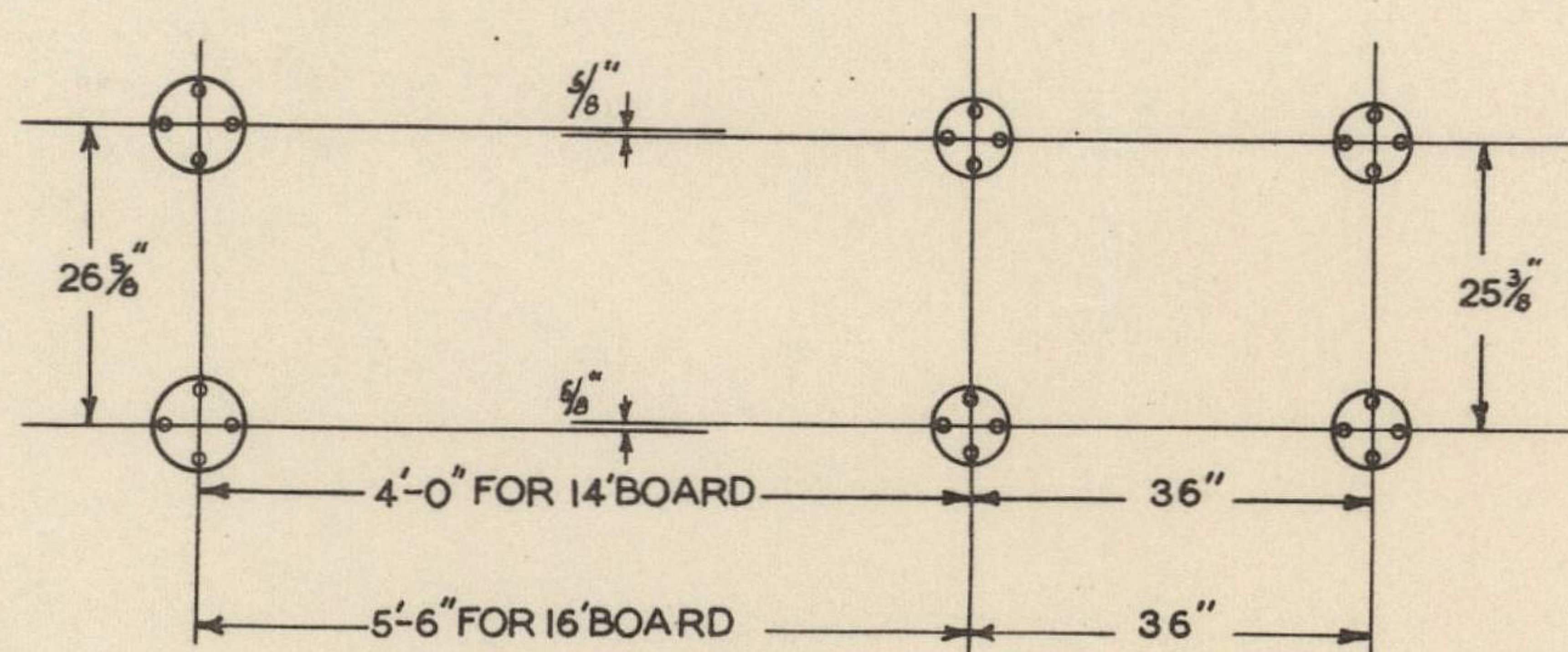
# OFFICIAL No. P.C. 2355 INTERNATIONAL & INTERCOLLEGIATE ONE METER LOW SPRINGBOARD WITH AUTOMATIC ADJUSTABLE FULCRUM

U.S. PATENT No. 1921664



STRETCH LONG MAT TIGHT AND LACE TO SCREW EYES UNDERNEATH, THEN PUT END MAT ON ACROSS BOARD. LACE UNDERNEATH AND TACK ON TOP AS SHOWN.

PATENTED AUTOMATIC ADJUSTABLE FULCRUM UNIT ONLY FOR ONE METER OUTFITS



GROUND PLAN

## INSTALLATION INSTRUCTIONS

IN NEW POOLS ANCHORS SHOULD BE SET BY CONTRACTOR. MAKE A TEMPLAT FOR ACCURACY AND SET BOLT HOLES ON BISECTING LINES. FLANGES MUST ALL BE LEVEL OR PROVISION MADE IN LEGS OF STANDS WHEN ORDERING.

**E. P. FINIGAN**

314-TWELFTH ST.  
SAN FRANCISCO CAL.

REPRESENTATIVE

~~SPALDING COAST GYM DEPT.~~